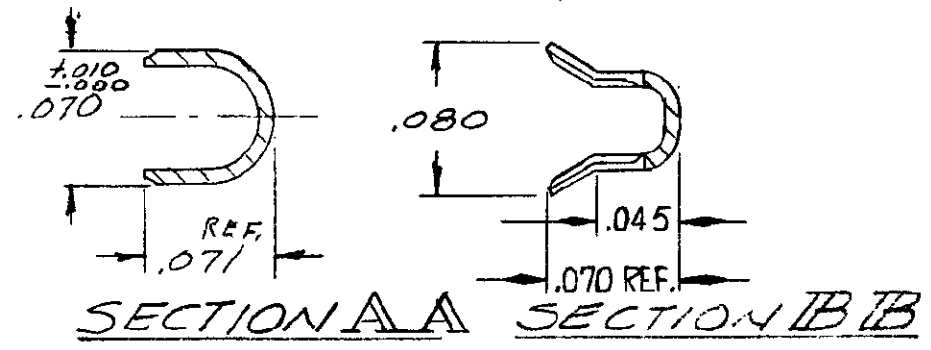
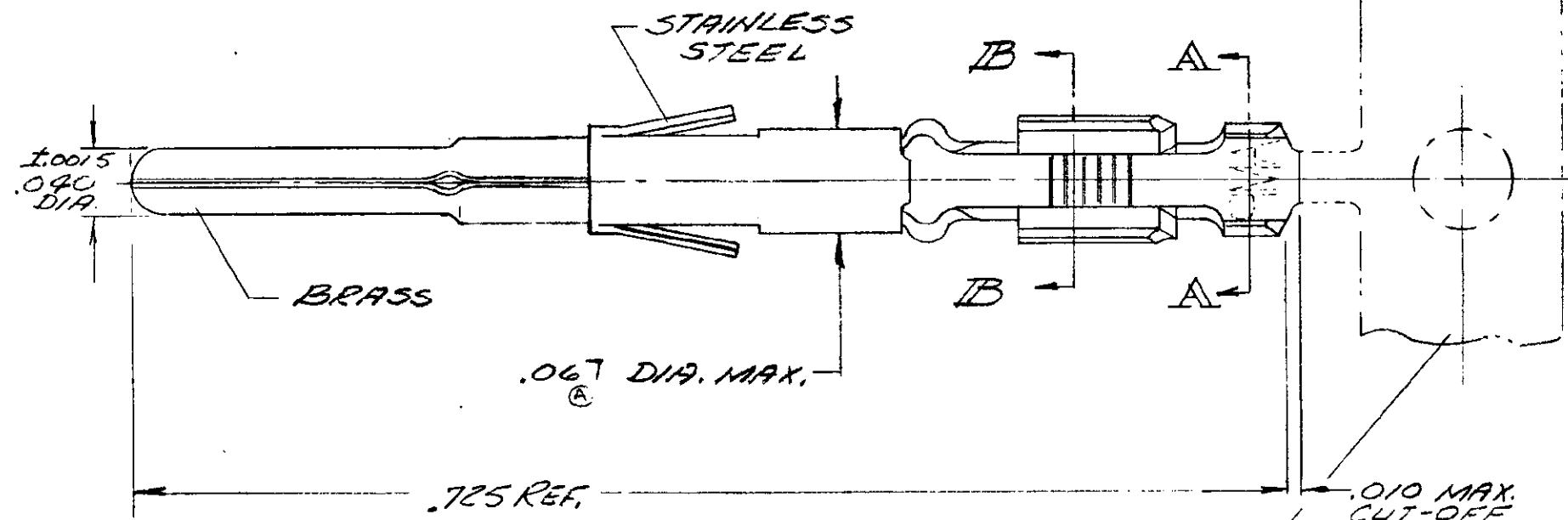


NUMBER 203874

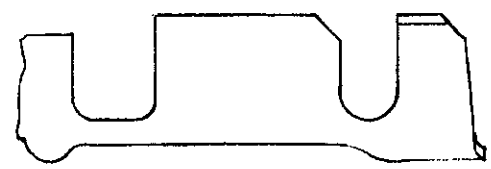
©1968 BY AMP INCORPORATED. ALL RIGHTS RESERVED. AMP PRODUCTS COVERED BY PATENTS AND/OR PATENTS PENDING.

REVISIONS				
ZONE	LTR	DESCRIPTION	DATE	APPROVED
	R	REV: EPN DE-057	7-88	
	S	REV: ECN DE-1069	10-89	SPM
	T			ABM



- 203874-1 1. AS SHOWN  
2. STRIP PART  
3. BODY-BRASS, .000030 GOLD/NI. .000050. SLEEVE, STAINLESS STEEL.
- 203874-2 1. SAME AS -1, EXCEPT:  
2. BODY, SELECTIVE .000030 GOLD/NI. .000050.
- 203874-3 1. SAME AS -1, EXCEPT:  
2. LOOSE PIECE PART
- 203874-4 1. SAME AS -2, EXCEPT:  
2. LOOSE PIECE PART
- 203874-5 1. SAME AS -1, EXCEPT:  
2. BODY SELECTIVELY PLATED
- 203874-6 1. SAME AS -5, EXCEPT:  
2. LOOSE PIECE PART
- 203874-7 1. SAME AS -1 EXCEPT:  
2. BODY SELECTIVELY PLATED .000015 GOLD/NI. .000050
- 203874-8 1. SAME AS -7 EXCEPT:  
2. LOOSE PIECE PART.
- 203874-9 1. SAME AS -2 EXCEPT:  
2. REVERSE REELED FOR STANDARD APPLICATOR

CARRIER STRIP FOR -1, -2 & -5 PARTS



WIRE RANGE: 24, 26, 28 & 30 AWG  
INSULATION RANGE: .048 MAX.  
HAND TOOL: AMP #90223-5  
EXTRACTION TOOL: AMP #91038-3  
INSERTION TOOL: AMP #91042-1

**CAUTION:** USE OF TIN PLATED TERMINALS IN CERTAIN ENVIRONMENTS MAY CAUSE NON-CONFORMANCE TO AMP PRODUCT SPECIFICATION 108-10015.

**OBSOLETE** 1. SAME AS -1 EXCEPT:  
2. BODY PLATED .000050 GOLD OVER NICKEL, .000030

**OBSOLETE** 1. SAME AS 1--0 EXCEPT:  
2. LOOSE PIECE PART.

**OBSOLETE** 1. SAME AS -3 EXCEPT:  
2. CUSTOMER PART NO. TO BE MARKED ON INNER-MOST PACKAGE.

**OBSOLETE** 1. SAME AS -1 EXCEPT:  
2. CUSTOMER PART NO. TO BE MARKED ON INNER-MOST PACKAGE.

UNLESS OTHERWISE SPECIFIED DIM. ARE IN INCHES. TOLERANCES ON: DECIMALS ± .005 ANGLES ± #		CONTRACT NO.		<b>AMP</b> AMP INCORPORATED HARRISBURG, PENNSYLVANIA	
MATERIAL		DR			
SEE DASH NO.		WYCHECK 1-26-68		NAME	
HEAT TREAT		CHK		CONTACT ASSY - PIN	
FINISH		APPD		SIZE	
SEE DASH NO.		M. Leagan 2-5-68		CODE IDENT NO.	
LOC PRIN		DSGN APPD		NUMBER	
DE CO S		OTHER APPD		B 00779	
		K. H. H. 4/6/68		203874	
		SCALE		WT CALC ACTUAL	
		10-1		SHEET 1 OF 1	

CUSTOMER DRAWING